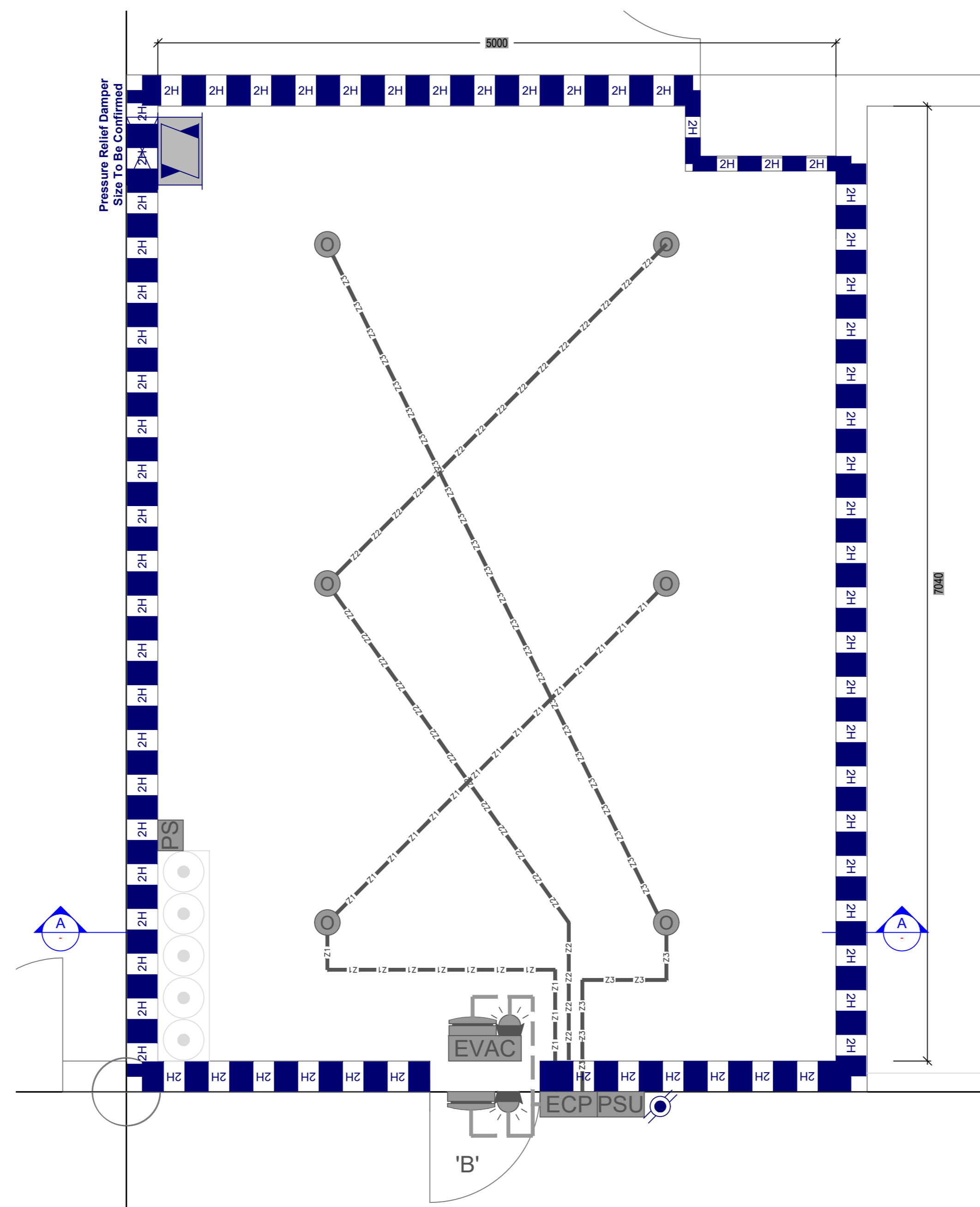
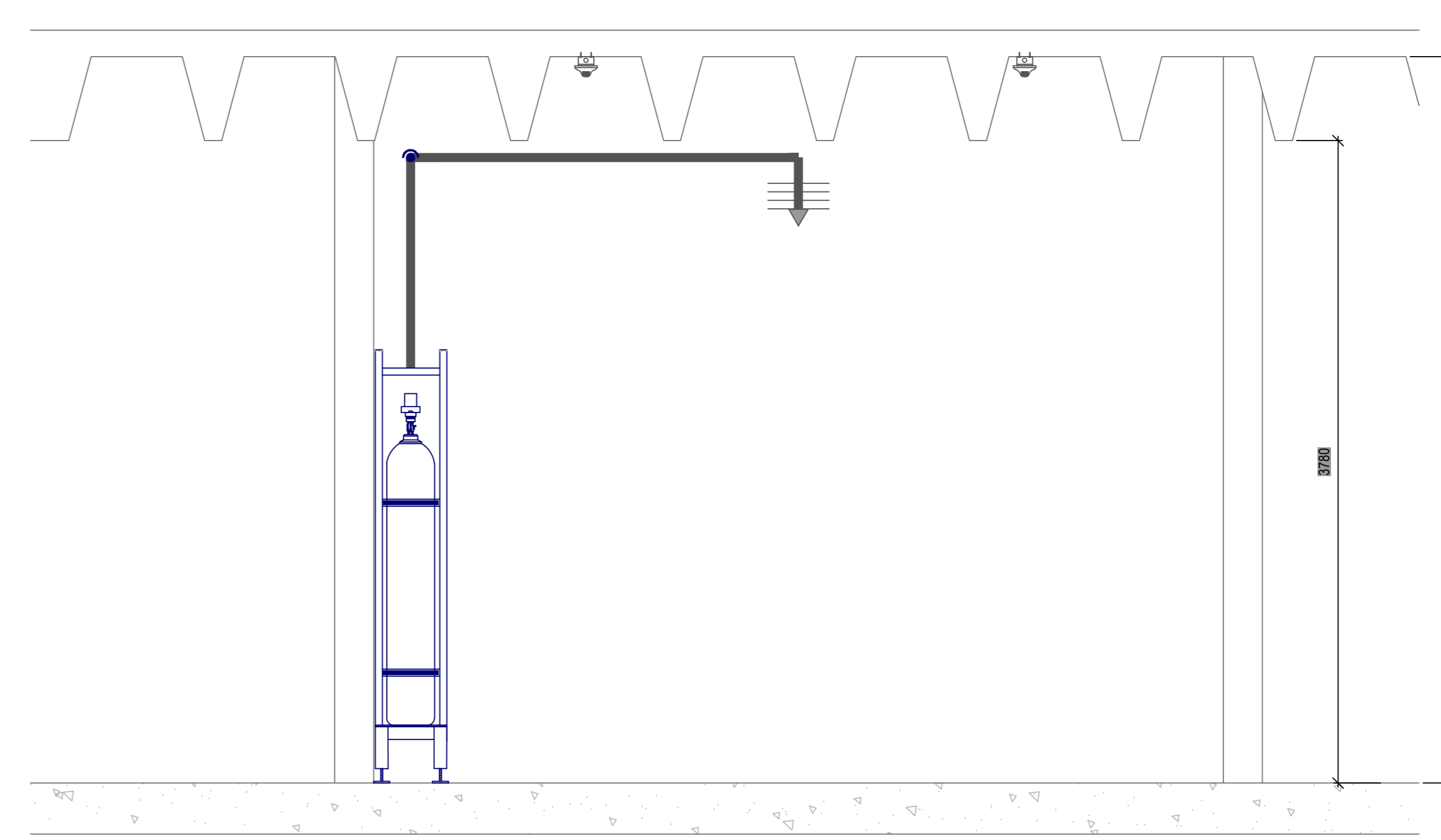


Records Room Gas Suppression Layout
1:25



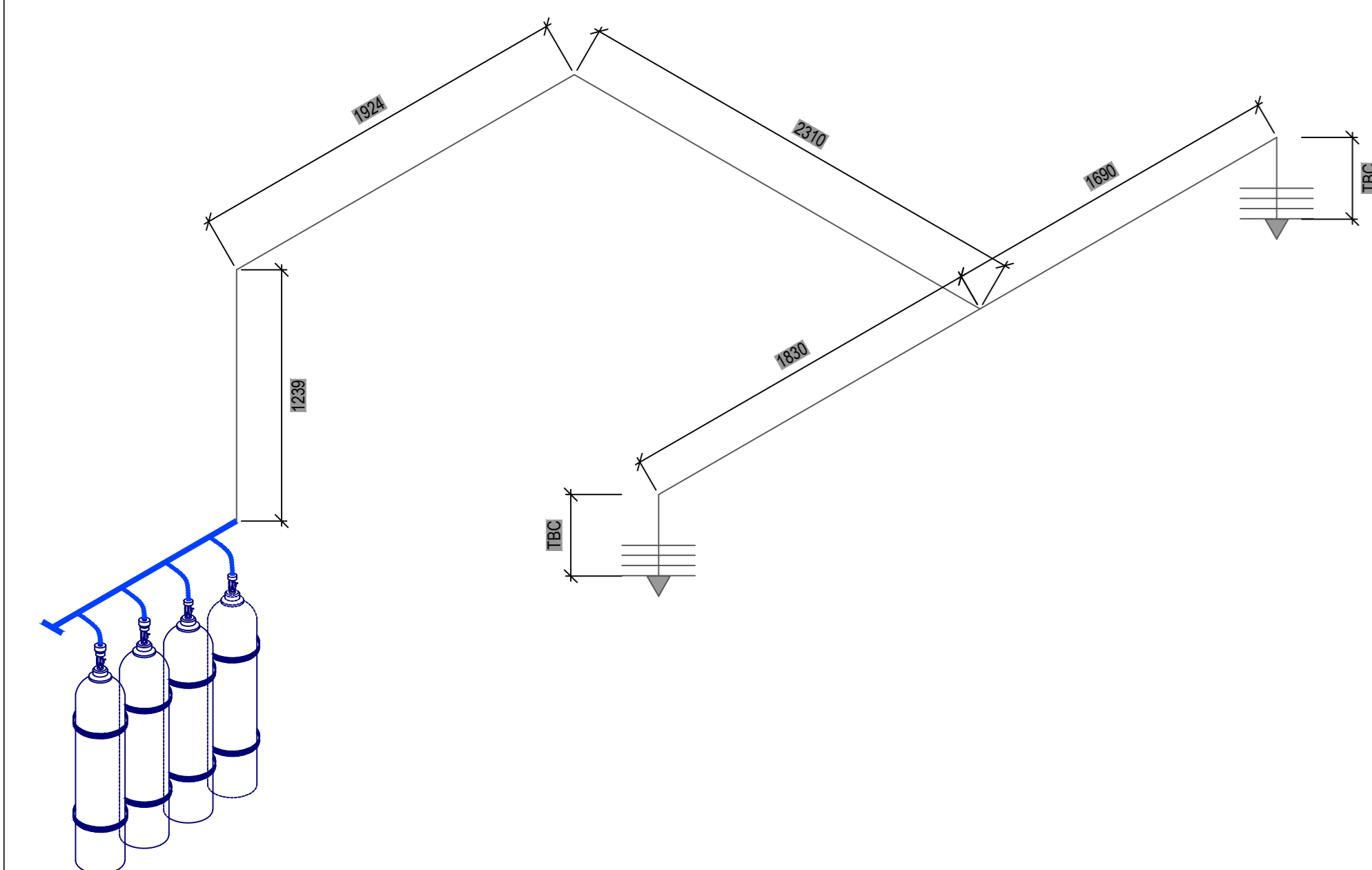
Records Room Fire Detection Layout
1:25



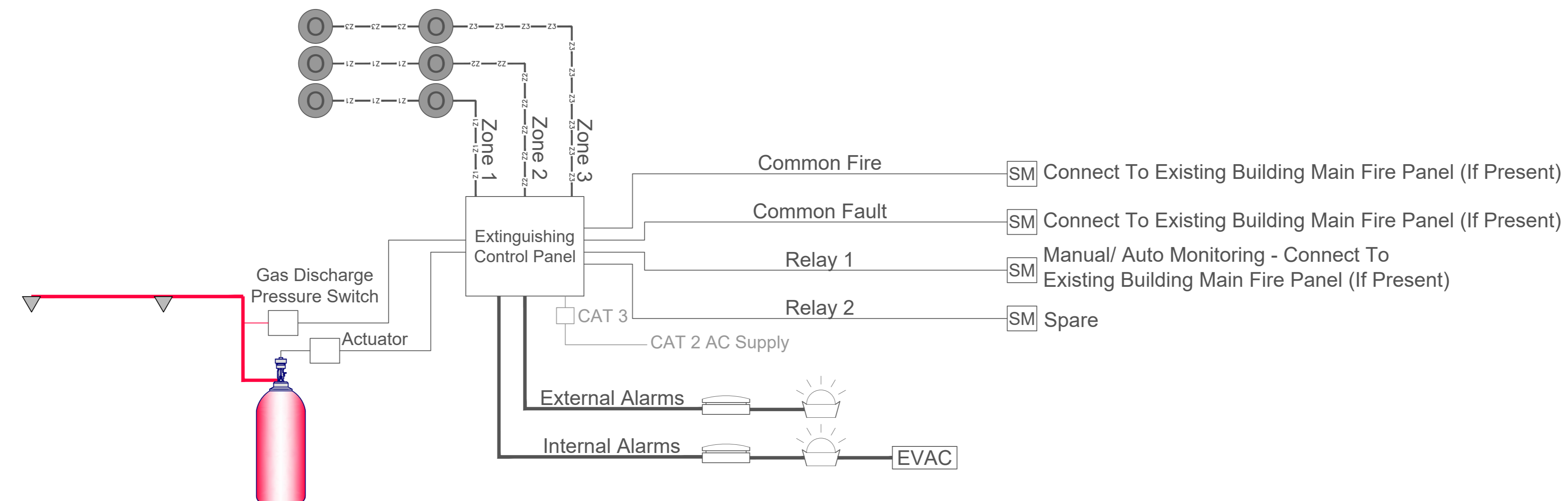
Section A-A
1:25

ISSUED FOR TENDER

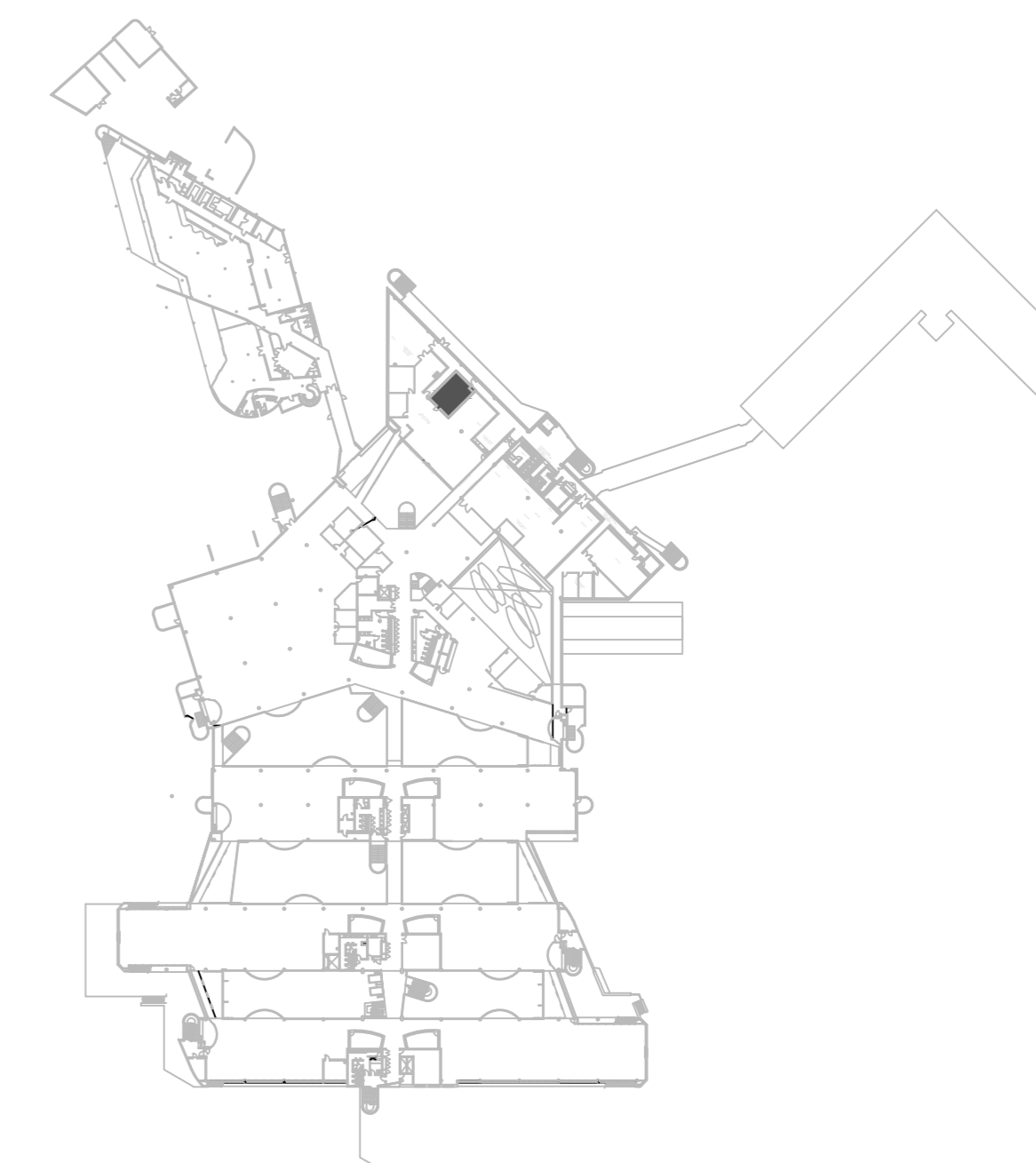
DESCRIPTION	Records Room		
	F. Floor	Rm Space	Cing Void
Length (m)	0.00	8.90	0.00
Width (m)	0.00	5.00	0.00
Area (m ²)	0.00	34.50	0.00
Height (m)	0.00	3.76	0.00
Volume (m ³)	0.00	130.39	0.00
Trench and coffers (m ³)	0.00	0.00	0.00
Total Volume	0.00	130.39	0.00
Altitude Correction Factor	0.91	0.91	0.91
Design Concentration	39.9%	39.9%	39.9%
Flooding Factor	0.50	0.50	0.50
Gas Required (m ³)	0.00	52.81	0.00
Room Total Volume (m ³)		184.39	
Total Gas Required (m ³)		74.68	
Quantity 15.2m ³ Cylinders		4.61	
Quantity 15.2m ³ Cylinders Req.		5	
Actual Gas Quantity		81	
Actual Flooding Factor		0.54	



Gas Piping Run Detail
1:25



Extinguishing Control Panel Schematic Detail
1:25



Site Location Plan
NTS

NO.	DATE	DESCRIPTION	DRN BY
00	05/04/2019	Issued For Tender	CG

CONSULTING ENGINEER SIGNATURE: _____ DATE: _____
PROFESSIONAL REG. _____
CLIENT SIGNATURE: _____ DATE: _____

- NOTES:
- FOR GENERAL NOTES REFER TO DRAWING.
 - DRAWINGS ARE NOT TO BE SCALED. ALL LEVELS AND DIMENSIONS TO BE VERIFIED ON SITE PRIOR TO COMMENCEMENT OF WORKS. ANY DISCREPANCIES TO BE BROUGHT TO THE ENGINEER'S ATTENTION IMMEDIATELY.
 - THIS DRAWING IS TO BE READ IN CONJUNCTION WITH ALL OTHER DRAWINGS, SCHEDULES AND SPECIFICATIONS RELATED TO THIS PROJECT.
 - ALL BUILDING WORK AND MATERIALS ARE TO COMPLY WITH LOCAL AUTHORITY'S REQUIREMENTS AND ARE TO BE IN ACCORDANCE WITH SANS 10400 NATIONAL BUILDING REGULATIONS.

- FIRE LEGEND:
- Optical Smoke Detector (6off)
 - Wall Mounted Strobe/Sounder Combo (2off)
 - Wall Mounted Bell (2off)
 - Acoustic Gas Nozzle (2off)
 - Gas Cylinder (5off)
 - Extinguishing Control Panel (1off)
 - Pressure Switch (1off)
 - Power Supply Unit (1off)
 - Evac Light (1off)
 - Zone 1 Wiring (18m)
 - Zone 2 Wiring (13m)
 - Zone 3 Wiring (13m)
 - 2 Hour Firewall
 - Class B Firedoor

CLIENTS DETAIL
IDC
Industrial Development Corporation

ARCHITECTS DETAIL

ENGINEERS DETAIL
ADQ
ADQ ENGINEERING PROJECTS
0201, Cape Town, South Africa

SERVICE:
FIRE SERVICES

PROJECT NAME:
IDC

SHEET TITLE:
Floor 2 Records Room Gas Suppression Details & Layouts

DATE: 05/04/2019	ADD REF NO: -
PAPER SIZE: A0	DESIGNED BY: JJ
SCALE: As Shown	DRAWN BY: CG
	CHECKED BY: JJ

DRAWING NUMBER: P18045-TN-FIR-402
REV: 00